

Universal lamps from Bosch

For added brightness: Bosch auxiliary lamps

- ▶ Reliable operation and attractive design for more safety and style
- ▶ Heavy-duty quality for SUV and commercial vehicles: Robust, a long service life and high light output
- ▶ Flexible installation options

Light up the night: Bosch work lamps

- ▶ Xenon and halogen range for a wide variety of applications
- ▶ High-quality, exceptionally sturdy designs for reliability and a long service life
- ▶ Flood lamps for broad illumination of a large area and spot lamps for a concentrated long-range beam of light

For maximum warning effect: Bosch rotating beacons

- ▶ Different versions to suit every application
- ▶ Non-wearing design: Maintenance-free and a long service life
- ▶ Convenient operation, installation and bulb replacement

Ask for the Bosch universal lamps catalogue or the full Bosch lighting technology catalogue.

For further information click onto:
www.bosch.com

Your address for genuine Bosch quality:

AA/MML F 026 XXX XXX/052008 64 64 XX



Attention please!

Rotating beacons from Bosch

 **BOSCH**
Invented for life

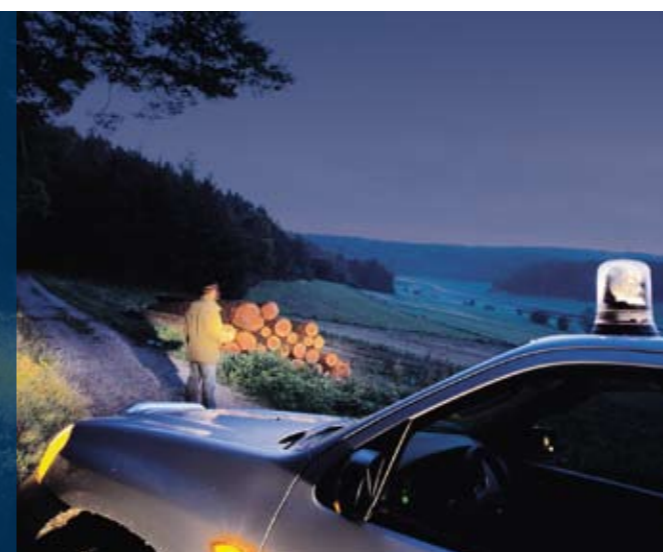
 **BOSCH**
Invented for life

Convincing in every way – rotating beacons from Bosch



Professional range RKLE 200

Rugged, reliable and unrivalled luminous efficiency: The Bosch rotating beacon RKLE 200 is essential wherever road-traffic awareness and safety are crucial factors.



Specialty range RSWA/F

Not only in terms of safety are Bosch lamps a shining example of quality and reliability: Both in the form of flood lamps and spot lamps, the RSWA/F range offers unbeatable performance for use by the police and rescue services, by breakdown and recovery companies, in agricultural vehicles and for outdoor operations.

Unmistakably safe

Rotating beacons make an essential contribution to road safety by warning of potential hazards and obstacles and providing protection for both the vehicle itself and other road users.

The full range

The Bosch range is ideal for virtually every type of application:

- ▶ Various sizes and types
- ▶ Permanent attachment and mobile use
- ▶ Connections for 12/24 V
- ▶ Different cover colors

The right color for every purpose

The cover colors used by Bosch always comply with the applicable road-traffic regulations. Blue is authorized for use by emergency-services vehicles:

- ▶ Police
- ▶ Fire services
- ▶ Emergency relief organizations
- ▶ Rescue services
- ▶ Recovery vehicles

Yellow is authorized for use on vehicles which could represent a road-traffic hazard:

- ▶ Waste removal
- ▶ Road construction and cleaning
- ▶ Breakdown services
- ▶ Extremely wide or long vehicles or vehicles carrying an exceptional load
- ▶ Towing and recovery vehicles

Never compromise on quality when it comes to safety

All Bosch rotating beacons have to meet the same high standards in terms of materials and workmanship. After all, reliable operation is imperative in all situations. An important indicator of the loads to which a lamp unit can be subjected is provided by the IP degree of protection* (International Protection). IP degrees of protection specify the amount of protection afforded to electrical equipment by a housing. Various tests are performed to determine the exact degree of protection.

Particular emphasis is placed on testing of the degree of protection against the ingress of solid foreign matter (including dust) and the ingress of water.

Bosch rotating beacons are classified according to the following IP degrees of protection:

IP degrees of protection	Description
IP 59K	The ingress of dust must be restricted to a level which does not impair operation and safety. Water that is directed at the housing from any direction with significantly high pressure (high pressure/steam-jet cleaning) must not have any detrimental effect.
IP 54K	The ingress of dust must be restricted to a level which does not impair operation and safety. Water splashing against the housing under high pressure from any direction must not have any detrimental effect.
IP 54	The ingress of dust must be restricted to a level which does not impair operation and safety. Water splashing against the housing from any direction must not have any detrimental effect.

* In accordance with DIN 40 050 Part 9, IP degrees of protection are identified by a designation always made up of the letters IP (International Protection) and code numbers for the degrees of protection.



Standard range RE 60

Bosch RE 60 rotating beacons excel in terms of reliability and an attractive price/performance ratio in agriculture and forestry as well as on hauling, delivery, construction site and industrial vehicles.

RKLE 200 –

To ensure safety is on your side



Tested for quality

- ▶ All RKLE 200 lamps of types A, B1 and B2 comply with the specifications of DIN 14 620
- ▶ All yellow and blue lamps are type-tested and approved in accordance with ECE R65 and also satisfy the stringent German "K" approval standards

RKLE 200

Construction companies

Top quality for maximum warning effect

The everyday business of maintaining safety and mobility on the roads demands 100% reliable rotating beacons under all conditions. The Bosch RKLE 200 range offers the uncompromising reliability and high performance needed to meet this challenge. For 12 and 24 V, for mobile use or permanent attachment.

For immediate recognition and quick reaction

Special-purpose vehicles must always be instantly and clearly recognizable for other road users when they are in operation. The Bosch RKLE 200 is designed to provide an equally outstanding warning and signalling effect, both during the day and at night as well as in fluctuating light conditions.

Even more highlights:

- ▶ No radio interference – an absolute must for all emergency-services vehicles. The silent running RKLE 200 features interference suppression and complies with the requirements of VDE 0879 interference level 5
- ▶ Easy replacement: A bulb can be changed with just one hand and without the need for tools
- ▶ Cover fastening: Easy-to-use bayonet catch, can be opened both with and without tools
- ▶ Attractive appearance: The fiberglass-reinforced base can be painted to match every vehicle color
- ▶ No maintenance and a long service life: No wearing parts such as V-belts or collector rings but rather self-lubricating bronze sintered bearings and particularly powerful motors

For all applications and every job

Four models with different attachment options, each available in yellow, blue or red to cover the entire usage spectrum.

- ▶ **Type A** – Base with thumb screw for rapid attachment on a tubular mount without the need for tools
- ▶ **Type B1** – Screw connection for permanent installation, three bolts, hole circle dia. 130 mm
- ▶ **Type B2** – Screw connection for permanent installation, three bolts, hole circle dia. 200 mm
- ▶ **Type D** – Attachment by way of powerful magnet, officially approved for speeds up to 250 km/h, connection via helical cable (can be extended to 3 m) and universal motor-vehicle connector (cigarette-lighter socket)



Heavy goods vehicles

Areas of application

- ▶ Fire services
- ▶ Rescue services
- ▶ Breakdown services
- ▶ Towing vehicles
- ▶ Emergency relief services
- ▶ Police
- ▶ Heavy goods vehicles
- ▶ Construction companies



Form A



Form B1



Form B2



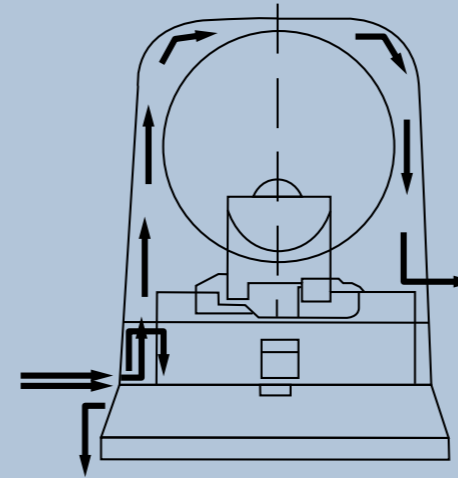
Form D

RKLE 200 – Technology you can always rely on 100%



General advantages

- ▶ Complies with DIN and ISO standards
- ▶ E-approval throughout Europe
- ▶ 12 V or 24 V versions available
- ▶ Mobile use or permanent attachment (fixed or plug-in connection, magnetic mount)



Open to air, closed to water

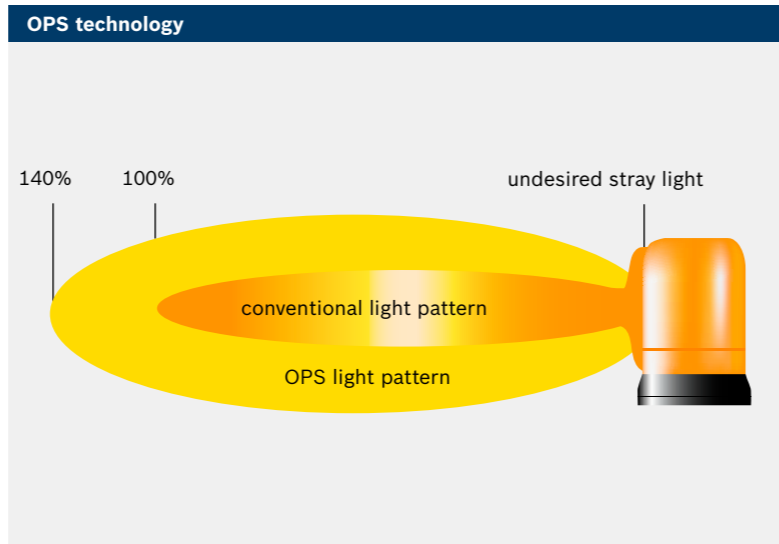
A specially developed, patented ventilation system with labyrinth seal ensures permanent ventilation and thus prevents condensation forming. The cover does not mist up and no corrosion forms on the inside of the lamp.

Patented ventilation system

OPS technology for even more light

The Bosch OPS reflector (optimized plane-parabolic segments) makes the most of light. Luminous efficiency and light propagation are optimized. Rather than being dispersed by the cover, the light is propagated accurately by the OPS reflector.

- ▶ Up to 40% more luminous efficiency from the same lamp wattage
- ▶ Optimum visibility at close and long range as well as on uneven terrain
- ▶ No stray light
- ▶ Long visibility and high intensity
- ▶ Optimum warning effect even in bright sunlight; comparable with powerful flashing lights



Quick and easy to fit

An intelligent fitting concept enhances operation and extends the service life of the B1/B2 models. They are remarkably easy to install: Mounting collars and a hollow rubber section guarantee quick and straightforward attachment. The rubber seal acts as a drilling template. The mounting collars are readily accessible from the outside and are then fitted with caps to provide a dirt-proof seal. This guards against both wind noise and corrosion.

Hollow rubber section for ease of installation



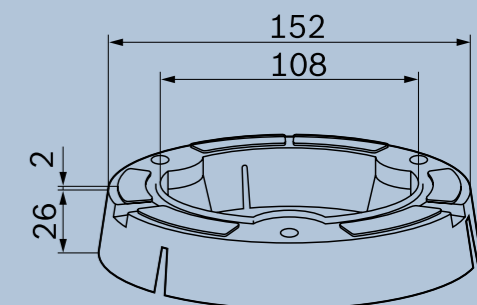
All-around reliable hybrid drive system

The Bosch rotating beacons RKLE 200 combine all the advantages of a hybrid drive, developed specially for constant operation: Smooth, quiet running coupled with consistently high power. The RKLE 200 range thus offers unbeatable convenience, ruggedness and reliability in continuous operation even under extreme conditions such as extreme fluctuations in temperature, wet weather, dust and vibration ...



Secure attachment

Dimensions



All-around versatility, all-around safety, all-around reliability



RE 60

RE 60

For only sporadically used special-purpose vehicles, the small, lightweight RE 60 offers robust warning-lamp technology at an attractive price. Special features:

- ▶ Intense, non-blinding warning light
- ▶ Quick and easy installation; supplied ready for fitting with H1 bulb
- ▶ Parabolic reflector with friction clutch
- ▶ Drive: Long-life, maintenance-free worm gear
- ▶ For 12 V and 24 V
- ▶ Bosch one-hand bulb replacement
- ▶ Interference-free radio reception
- ▶ Ventilation system to prevent condensation

Prescribed safety

- ▶ Warning effect as stipulated in the approval standard ECE R65
- ▶ Radio interference suppression level 3 as per VDE 0879 T3
- ▶ Four different types A, FLX, B, D (refer to Page 11), all in line with ISO 4148

Areas of application

- ▶ Road-construction
- ▶ Construction and hauling services
- ▶ Agricultural and forestry vehicles
- ▶ Winter services
- ▶ Industrial vehicles

RSWA/F 100 with remote control

RSWA 100 / RSWF 100

The rotating beacons RSWA 100 and RSWF 100 with remote-control units are both powerful and reliable.

- ▶ As flood lamp (RSWA) for uniform illumination of a broad close-range area
- ▶ As spot lamp (RSWF) with a narrow, high-intensity light beam over longer distances

Special feature: Radio remote control

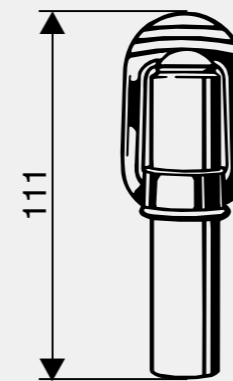
- ▶ Radio remote control permits exact alignment of the rotating beacon even from a considerable distance by means of simultaneous horizontal and vertical movement
- ▶ 1 lamp can be controlled by up to 4 remote control units
- ▶ 1 remote control unit can also control several lamps

Areas of application

- ▶ Police
- ▶ Rescue services
- ▶ Breakdown services
- ▶ Emergency relief services

Accessories for Bosch rotating beacons

Spigot



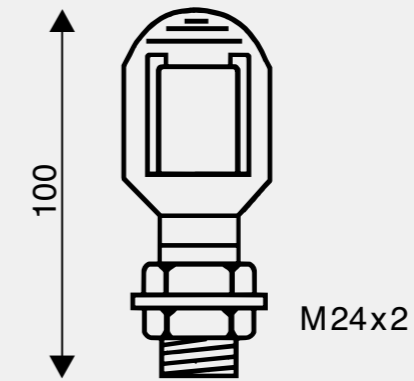
For welding, for type A rotating beacons as per DIN 14-620 and ISO 4148. With socket and rain cap. Ground connection via housing.

8 787 022 001

As ..-001, however connection via 2 blade terminals 6.3 mm. With insulating tube.

8 787 022 019

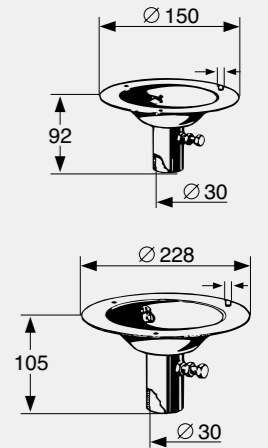
Spigot



For screw connection, for type A rotating beacons as per DIN 14-620 and ISO 4148. With socket and rain cap.

8 787 022 013

Mounting flange, straight

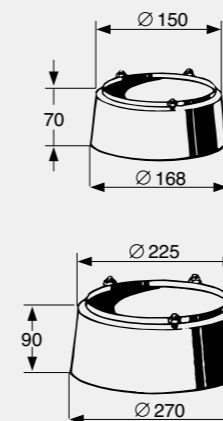


For RKLE types B1 and B2. For attachment to vehicle stand LZU 14/5

RKLE type B1 8 785 110 068

RKLE type B2 8 785 110 077

Intermediate flange

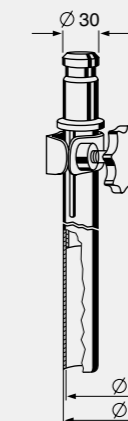


For RKLE types B1 and B2. Made of sheet steel. For fitting on extremely inclined surfaces (adapt flange and weld on).

RKLE type B1 8 785 110 127

RKLE type B2 8 785 110 128

Vehicle stand LZU 14/5



For attachment of lamps and rotating beacons. Design: Mounting pin with dia. 30 mm as per DIN 14 640.

For use with: Mounting flange 8 785 110 068/077 for rotating beacons.

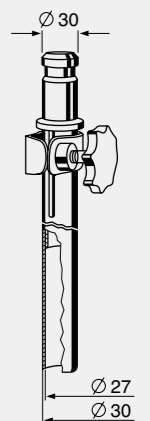
Extendable from 1260 mm to 2160 mm. Can be locked with star handle.

Dimensions (W x H):

140 x 1260 mm, weight: 2.8 kg

7 781 999 001

Vehicle stand LZU 14/5 M



Similar to 7 781 999 001. Extendable from 1060 mm to 1890 mm.


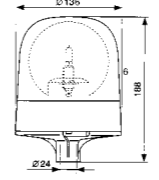

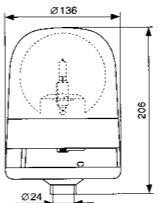

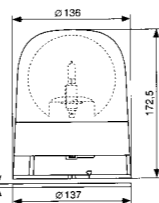

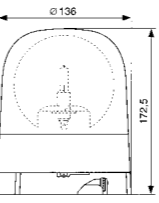
Cable entry through mounting pin.

Dimensions (W x H): 140 x 1060 mm

7 781 999 015

At a glance: Bosch rotating beacons

Product overview																											
Model	Design	Scope of delivery	Part numbers																								
RKLE 200 type A																											
		Lamp incl. H1 bulb, installation instructions	<table border="1"> <tr><td>RKLE 200 A</td><td>12 V</td><td>yellow</td><td>7 782 332 011</td></tr> <tr><td>RKLE 200 A</td><td>24 V</td><td>yellow</td><td>7 782 334 009</td></tr> <tr><td>RKLE 200 A</td><td>12 V</td><td>blue</td><td>7 782 332 209</td></tr> <tr><td>RKLE 200 A</td><td>24 V</td><td>blue</td><td>7 782 334 207</td></tr> <tr><td>RKLE 200 A</td><td>12 V</td><td>red</td><td>7 782 332 404</td></tr> <tr><td>RKLE 200 A</td><td>24 V</td><td>red</td><td>7 782 334 404</td></tr> </table>	RKLE 200 A	12 V	yellow	7 782 332 011	RKLE 200 A	24 V	yellow	7 782 334 009	RKLE 200 A	12 V	blue	7 782 332 209	RKLE 200 A	24 V	blue	7 782 334 207	RKLE 200 A	12 V	red	7 782 332 404	RKLE 200 A	24 V	red	7 782 334 404
RKLE 200 A	12 V	yellow	7 782 332 011																								
RKLE 200 A	24 V	yellow	7 782 334 009																								
RKLE 200 A	12 V	blue	7 782 332 209																								
RKLE 200 A	24 V	blue	7 782 334 207																								
RKLE 200 A	12 V	red	7 782 332 404																								
RKLE 200 A	24 V	red	7 782 334 404																								
RKLE 200 type B1																											
		Lamp incl. H1 bulb, rubber seal, fastening elements, installation instructions	<table border="1"> <tr><td>RKLE 200 B1</td><td>12 V</td><td>yellow</td><td>7 782 322 011</td></tr> <tr><td>RKLE 200 B1</td><td>24 V</td><td>yellow</td><td>7 782 324 011</td></tr> <tr><td>RKLE 200 B1</td><td>12 V</td><td>blue</td><td>7 782 322 207</td></tr> <tr><td>RKLE 200 B1</td><td>24 V</td><td>blue</td><td>7 782 324 207</td></tr> <tr><td>RKLE 200 B1</td><td>12 V</td><td>red</td><td>7 782 322 405</td></tr> <tr><td>RKLE 200 B1</td><td>24 V</td><td>red</td><td>7 782 324 404</td></tr> </table>	RKLE 200 B1	12 V	yellow	7 782 322 011	RKLE 200 B1	24 V	yellow	7 782 324 011	RKLE 200 B1	12 V	blue	7 782 322 207	RKLE 200 B1	24 V	blue	7 782 324 207	RKLE 200 B1	12 V	red	7 782 322 405	RKLE 200 B1	24 V	red	7 782 324 404
RKLE 200 B1	12 V	yellow	7 782 322 011																								
RKLE 200 B1	24 V	yellow	7 782 324 011																								
RKLE 200 B1	12 V	blue	7 782 322 207																								
RKLE 200 B1	24 V	blue	7 782 324 207																								
RKLE 200 B1	12 V	red	7 782 322 405																								
RKLE 200 B1	24 V	red	7 782 324 404																								
RKLE 200 type B2																											
		Lamp incl. H1 bulb, rubber seal, fastening elements, installation instructions	<table border="1"> <tr><td>RKLE 200 B2</td><td>12 V</td><td>yellow</td><td>7 782 362 008</td></tr> <tr><td>RKLE 200 B2</td><td>24 V</td><td>yellow</td><td>7 782 364 007</td></tr> <tr><td>RKLE 200 B2</td><td>12 V</td><td>blue</td><td>7 782 362 207</td></tr> <tr><td>RKLE 200 B2</td><td>24 V</td><td>blue</td><td>7 782 364 207</td></tr> <tr><td>RKLE 200 B2</td><td>12 V</td><td>red</td><td>7 782 362 404</td></tr> <tr><td>RKLE 200 B2</td><td>24 V</td><td>red</td><td>7 782 364 404</td></tr> </table>	RKLE 200 B2	12 V	yellow	7 782 362 008	RKLE 200 B2	24 V	yellow	7 782 364 007	RKLE 200 B2	12 V	blue	7 782 362 207	RKLE 200 B2	24 V	blue	7 782 364 207	RKLE 200 B2	12 V	red	7 782 362 404	RKLE 200 B2	24 V	red	7 782 364 404
RKLE 200 B2	12 V	yellow	7 782 362 008																								
RKLE 200 B2	24 V	yellow	7 782 364 007																								
RKLE 200 B2	12 V	blue	7 782 362 207																								
RKLE 200 B2	24 V	blue	7 782 364 207																								
RKLE 200 B2	12 V	red	7 782 362 404																								
RKLE 200 B2	24 V	red	7 782 364 404																								
RKLE 200 type D																											
		Lamp incl. H1 bulb, magnet, cable and connector, rubber seal, installation instructions	<table border="1"> <tr><td>RKLE 200 D</td><td>12 V</td><td>yellow</td><td>7 782 372 004</td></tr> <tr><td>RKLE 200 D</td><td>12 V</td><td>blue</td><td>7 782 372 204</td></tr> <tr><td>RKLE 200 D</td><td>24 V</td><td>blue</td><td>7 782 374 203</td></tr> <tr><td>RKLE 200 D</td><td>12 V</td><td>red</td><td>7 782 372 403</td></tr> <tr><td>RKLE 200 D</td><td>24 V</td><td>red</td><td>7 782 374 405</td></tr> </table>	RKLE 200 D	12 V	yellow	7 782 372 004	RKLE 200 D	12 V	blue	7 782 372 204	RKLE 200 D	24 V	blue	7 782 374 203	RKLE 200 D	12 V	red	7 782 372 403	RKLE 200 D	24 V	red	7 782 374 405				
RKLE 200 D	12 V	yellow	7 782 372 004																								
RKLE 200 D	12 V	blue	7 782 372 204																								
RKLE 200 D	24 V	blue	7 782 374 203																								
RKLE 200 D	12 V	red	7 782 372 403																								
RKLE 200 D	24 V	red	7 782 374 405																								
RSWA 100/RSWF 100																											
		Lamp incl. H1 bulb, remote control, 9 V battery 6LR61, fitting/operating instructions	<table border="1"> <tr><td>RSWA 100</td><td>12 V</td><td></td><td>7 782 319 052</td></tr> <tr><td>RSWA 100</td><td>24 V</td><td></td><td>7 782 319 054</td></tr> <tr><td>RSWA 100</td><td>12 V</td><td></td><td>7 782 319 062</td></tr> <tr><td>RSWA 100</td><td>24 V</td><td></td><td>7 782 319 064</td></tr> </table>	RSWA 100	12 V		7 782 319 052	RSWA 100	24 V		7 782 319 054	RSWA 100	12 V		7 782 319 062	RSWA 100	24 V		7 782 319 064								
RSWA 100	12 V		7 782 319 052																								
RSWA 100	24 V		7 782 319 054																								
RSWA 100	12 V		7 782 319 062																								
RSWA 100	24 V		7 782 319 064																								

Product overview											
Model	Design	Scope of delivery	Part numbers								
RE 60 Form A											
		Lamp incl. H1 bulb, installation instructions	<table border="1"> <tr><td>RE 60 A</td><td>12 V</td><td>yellow</td><td>7 782 332 008</td></tr> <tr><td>RE 60 A</td><td>24 V</td><td>yellow</td><td>7 782 334 007</td></tr> </table>	RE 60 A	12 V	yellow	7 782 332 008	RE 60 A	24 V	yellow	7 782 334 007
RE 60 A	12 V	yellow	7 782 332 008								
RE 60 A	24 V	yellow	7 782 334 007								
RE 60 Form FLX											
		Lamp incl. H1 bulb, installation instructions	<table border="1"> <tr><td>RE 60 FLX</td><td>12 V</td><td>yellow</td><td>7 782 332 009</td></tr> <tr><td>RE 60 FLX</td><td>24 V</td><td>yellow</td><td>7 782 334 008</td></tr> </table>	RE 60 FLX	12 V	yellow	7 782 332 009	RE 60 FLX	24 V	yellow	7 782 334 008
RE 60 FLX	12 V	yellow	7 782 332 009								
RE 60 FLX	24 V	yellow	7 782 334 008								
RE 60 Form B											
		Lamp incl. H1 bulb, rubber seal, installation instructions	<table border="1"> <tr><td>RE 60 B</td><td>12 V</td><td>yellow</td><td>7 782 322 012</td></tr> <tr><td>RE 60 B</td><td>24 V</td><td>yellow</td><td>7 782 324 012</td></tr> </table>	RE 60 B	12 V	yellow	7 782 322 012	RE 60 B	24 V	yellow	7 782 324 012
RE 60 B	12 V	yellow	7 782 322 012								
RE 60 B	24 V	yellow	7 782 324 012								
RE 60 Form D											
		Lamp incl. H1 bulb, helical cable with connector, installation instructions	<table border="1"> <tr><td>RE 60 D</td><td>12 V</td><td>yellow</td><td>7 782 372 003</td></tr> <tr><td>RE 60 D</td><td>24 V</td><td>yellow</td><td>7 782 374 005</td></tr> </table>	RE 60 D	12 V	yellow	7 782 372 003	RE 60 D	24 V	yellow	7 782 374 005
RE 60 D	12 V	yellow	7 782 372 003								
RE 60 D	24 V	yellow	7 782 374 005								